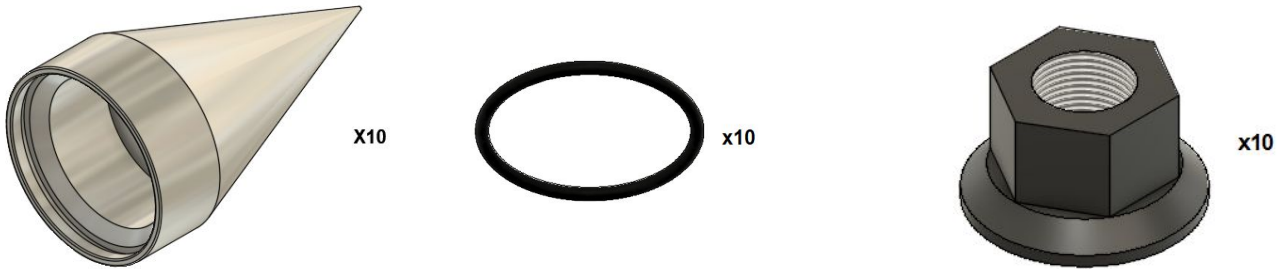


Installation Instructions

Contents



Description	Quantity
3.5" 33mm Round Spike Lug Cover	10
1-1/4 " O-Ring	10
33mm 2 Piece Nut	10

*Please contact us if you are missing any of the parts listed above (248) 280-0210



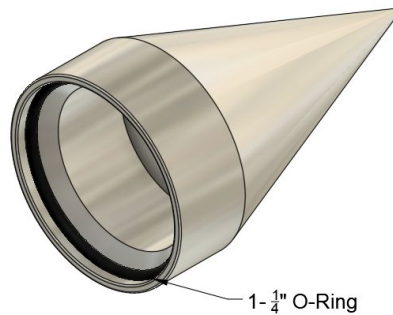
USE THE 33MM LUG NUTS SUPPLIED TO ENSURE PROPER FIT

Equipment and Supplies Required

- Strap Wrench
- 33mm Socket
- Floor Jack
- 33mm Socket
- Torque Wrench
- Jack Stands

Installation

1. Loosen the lug nuts $\frac{1}{4}$ of a turn while vehicle is grounded.
2. Raise vehicle using a floor jack until the tires are off the ground.
3. Place jack stands under the frame of the vehicle.
4. Remove the nuts holding the wheel on using the 33mm socket.
5. Fasten the wheel down by torquing the supplied 2 piece 33mm lug nuts to your vehicle manufacturer's specifications.
6. Ensure that the lug nut covers have the 1-1/4 " o-rings seating into the base of the spike.



7. Attach to the lug nut covers by threading them on by hand.
8. Use a strap wrench to fasten the lug nut covers down firmly.

3.5" 33mm Spike Lug Nut Covers

LIMIT OF LIABILITY STATEMENT

The information contained in this publication was accurate and in effect at the time the publication was approved for printing and is subject to change without notice or liability. Spikecraft Products reserves the right to revise the information presented herein or to discontinue the production of parts described at any time.

SAFETY PRECAUTIONS



CAREFULLY READ THE IMPORTANT SAFETY PRECAUTIONS and WARNINGS BEFORE PROCEEDING WITH THE INSTALLATION!

Appropriate disassembly, assembly methods and procedures are essential to ensure the personal safety of the individual performing the kit installation. Improper installation due to the failure to correctly follow these instructions could cause personal injury or death. Read each step of the installation manual carefully before starting the installation.

- Always wear safety glasses for eye protection.
- Place ignition switch in the OFF position.
- Always apply the parking brake when working on a vehicle.
- Block the front and rear tire surface to prevent unexpected vehicle movement.
- If working with a lift, always consult vehicle manual for correct lifting specifications.
- Operate the engine only in well-ventilated areas to avoid exposure to carbon monoxide.
- Do not smoke or use flammable items near or around the fuel system.
- Use chemicals and cleaners in well-ventilated areas.
- Batteries produce explosive gases, which can cause personal injury. Therefore, do not allow flames, sparks or flammable substances to come near the battery.
- Keeps hands and any other objects away from the radiator fan blades.
- Keep yourself and your clothing away from moving parts when the engine is running.
- Do not wear loose clothing or jewelry that can get caught in rotating parts or scratch surface finishes.
- Allow the engine, cooling system, brakes and exhaust to cool before working on a vehicle.

WORK SAFELY!

Perform this installation on a good clean level surface for maximum safety and with the engine turned off.



Always check to see if product are in accordance with laws in the state, county and municipality that you are in.



Use caution when operating a vehicle equipped with Spikecraft Products Lug Nut covers around people, other vehicles, and other property.